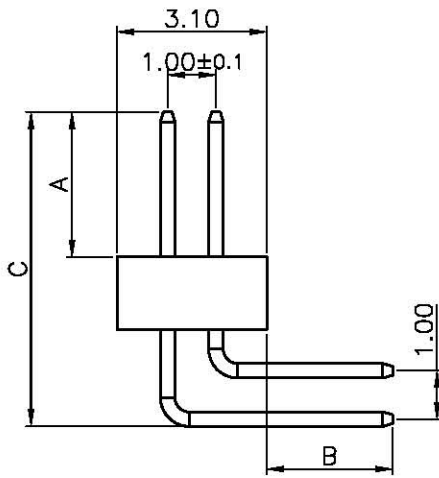
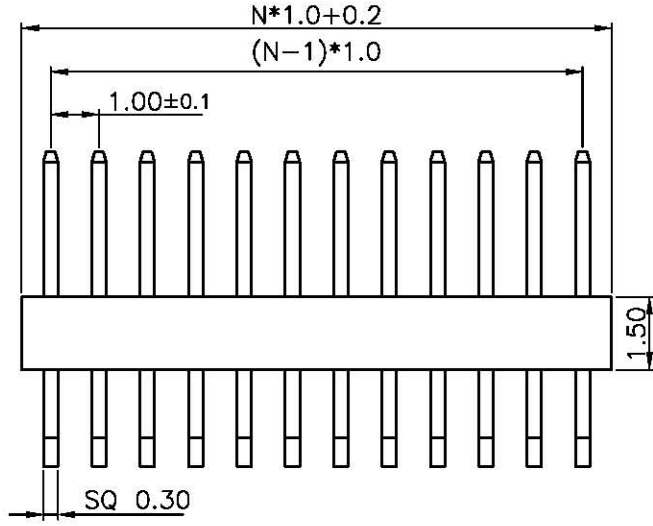


REV.	DESCRIPTION	DRAWN	CHECKED	APPROVED
A	NEW RELEASE	YCH 03/24/09	~	

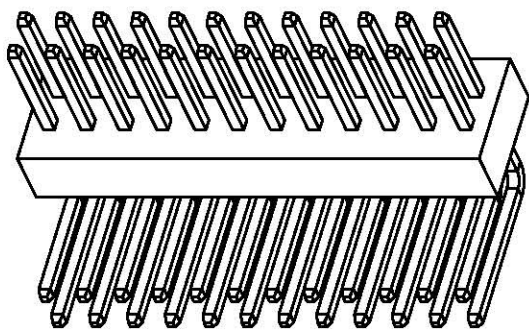
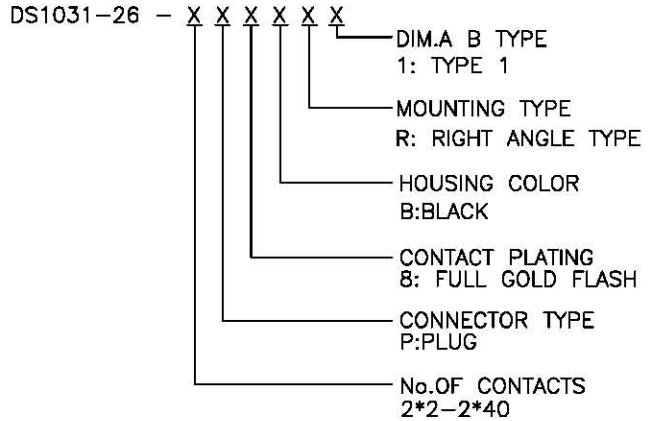


NOTES:

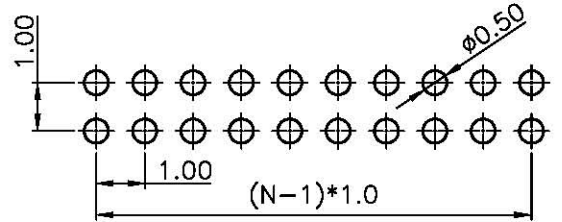
- MATERIAL
 - INSULATOR:PA-46(UL 94V-0).
 - CONTACT MATERIAL:COPPER ALLOY.
- SPECIFICATION
 - CURRENT RATING:1.0 Amp.
 - INSULATION RESISTANCE:500MΩ Min.
 - DIELECTRIC WITHSTANDING:600VAC.
 - CONTACT RESISTANCE:20mΩ Max.
 - OPERATING TEMPERATURE:-45°C TO+110°C.

3. PART NUMBER: DS1031-26

4. PRODUCT NUMBER CODE:



TYPE	DIM A	DIM B	DIM C
1	3.00	2.60	6.50
2			
3			
4			
5			
6			
7			
8			
9			



RECOMMEND PCB LAYOUT(TOLERANCE=±0.05)

GENERAL TOLERANCE		ANGLE TOLERANCE		PROJECTION	TITLE
X.	±0.60	X.	±5°		DUAL ROW PIN HEADER
.X	±0.38	.X	±3°	mm	PITCH 1.0mm R/A TYPE
.XX	±0.25	.XX	±2°	A4	SERIES DS1031-26 SERIES
DRAWING TYPE		CUSTOMER			
SCALE		1:1	SHEET	1 OF 1	
DRAWING NO.		C-DS1031-26-XXXXXX			