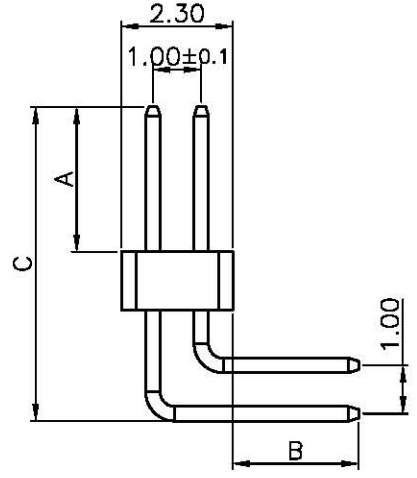
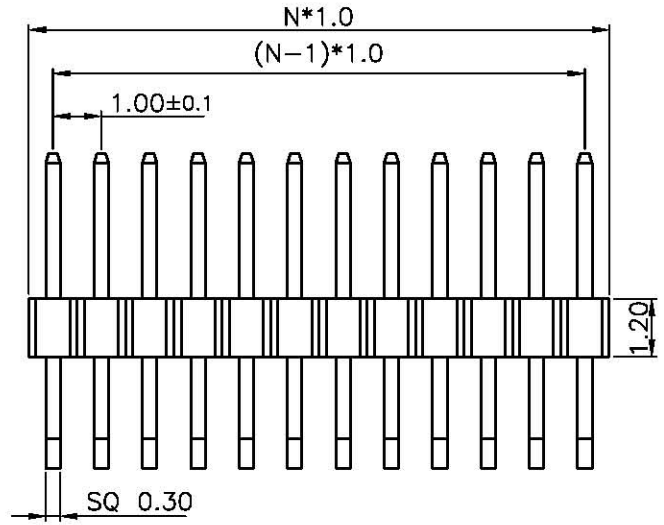


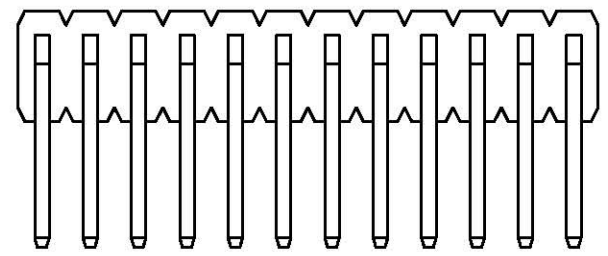
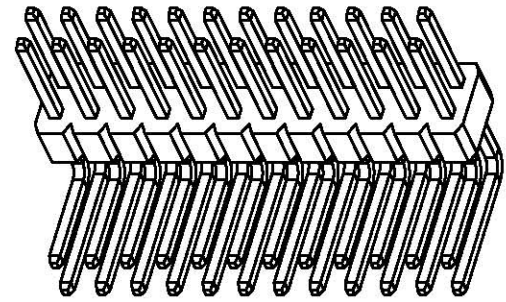
REV.	DESCRIPTION	DRAWN	CHECKED	APPROVED
A	NEW RELEASE	YCH 03/24/09	~	



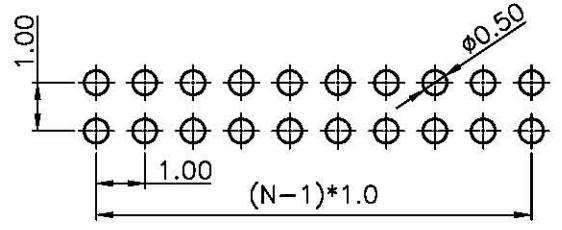
- NOTES:
- MATERIAL
 - INSULATOR:PA-46(UL 94V-0).
 - CONTACT MATERIAL:COPPER ALLOY.
 - SPECIFICATION
 - CURRENT RATING:1.0 Amp.
 - INSULATION RESISTANCE:500MΩ Min.
 - DIELECTRIC WITHSTANDING:600VAC.
 - CONTACT RESISTANCE:20mΩ Max.
 - OPERATING TEMPERATURE:-45°C TO+110°C.

3. PART NUMBER: DS1031-22
 4. PRODUCT NUMBER CODE:

DS1031-22 - X X X X X X
 DIM.A B TYPE
 1: TYPE 1
 MOUNTING TYPE
 R: RIGHT ANGLE TYPE
 HOUSING COLOR
 B:BLACK
 CONTACT PLATING
 8: FULL GOLD FLASH
 CONNECTOR TYPE
 P:PLUG
 No.OF CONTACTS
 2*2-2*40



TYPE	DIM A	DIM B	DIM C
1	3.00	2.60	6.50
2			
3			
4			
5			



RECOMMEND PCB LAYOUT(TOLERANCE=±0.05)

GENERAL TOLERANCE		ANGLE TOLERANCE		PROJECTION	TITLE	DUAL ROW PIN HEADER	
X.	±0.60	X.	±5°	mm		PITCH 1.0mm V/T TYPE	
.X	±0.38	.X	±3°	A4	SERIES	DS1031-22 SERIES	
.XX	±0.25	.XX	±2°				
DRAWING TYPE		CUSTOMER					
SCALE	1:1	SHEET	1 OF 1				
DRAWING NO.	C-DS1031-22-XXXXXX						