

REV.	DESCRIPTION	DRAWN	CHECKED	APPROVED
A	NEW RELEASE	LJH 06/22/05'		

TABLE A:

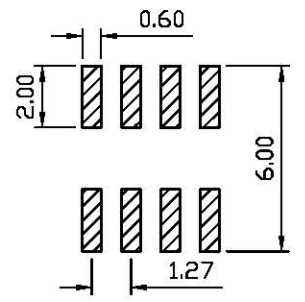
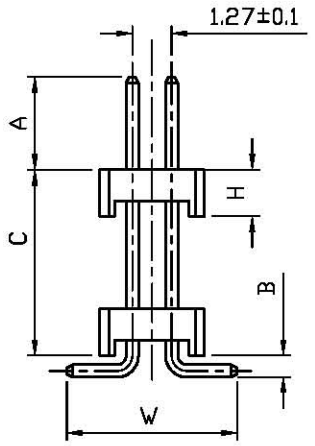
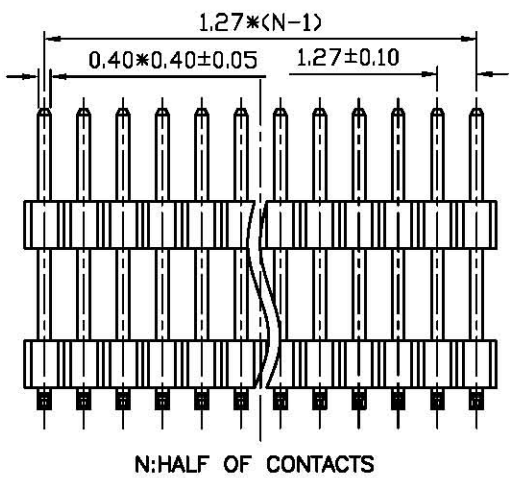
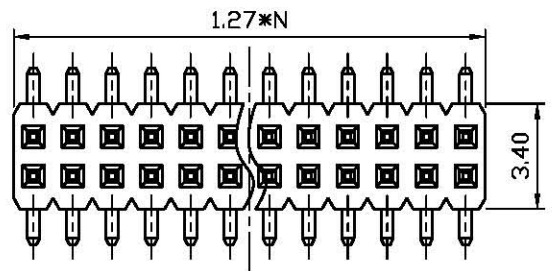
TYPE	Dimension			
	A	B	C	W
1	3.00	0.70	6.00	5.50
2				
3				
4				
5				
6				
7				
8				

NOTES:

- MATERIAL
 - INSULATOR:PA-46(UL 94V-0).
 - CONTACT MATERIAL:COPPER ALLOY.
- SPECIFICATION
 - CURRENT RATING:1.0 Amp.
 - INSULATION RESISTANCE:1000MΩ Min.
 - DIELECTRIC WITHSTANDING:300VAC.
 - CONTACT RESISTANCE:50mΩ Max.
 - OPERATING TEMPERATURE:-40°C TO+105°C.
- PART NUMBER: DS1031-10
- PRODUCT NUMBER CODE:

DS1031-10 - X X X X X X X

- DIM.A C TYPE
- 1: TYPE 1
- HOUSING HEIGHT(DIM.H)
- 1: 1.00mm
- 2: 1.50mm
- 3: 1.70mm
- 4: 2.00mm
- MOUNTING TYPE
- S: SMT TYPE
- HOUSING COLOR
- B:BLACK
- CONTACT PLATING
- 8: FULL GOLD FLASH
- CONNECTOR TYPE
- P:PLUG
- No.OF CONTACTS
- 2*1-2*40
- SERIES No.
- DS1031-10



RECOMMEND PCB LAYOUT(TOLERANCE=±0.05)

GENERAL TOLERANCE		ANGLE TOLERANCE		PROJECTION		TITLE	1.27mm PITCH PIN HEADER
X	±0.60	X	±5'	UNITS	mm		DUAL ROW SMT
.X	±0.38	.X	±3'	SHEET SIZE	A4	SERIES	DS1031-10 SERIES
.XX	±0.25	.XX	±2'				
DRAWING TYPE		CUSTOMER					
SCALE		5:1	SHEET				
DRAWING NO.		C-DS1031-10-XXXXXXX					