

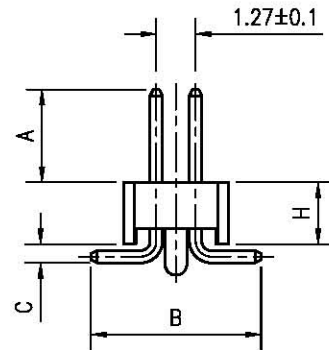
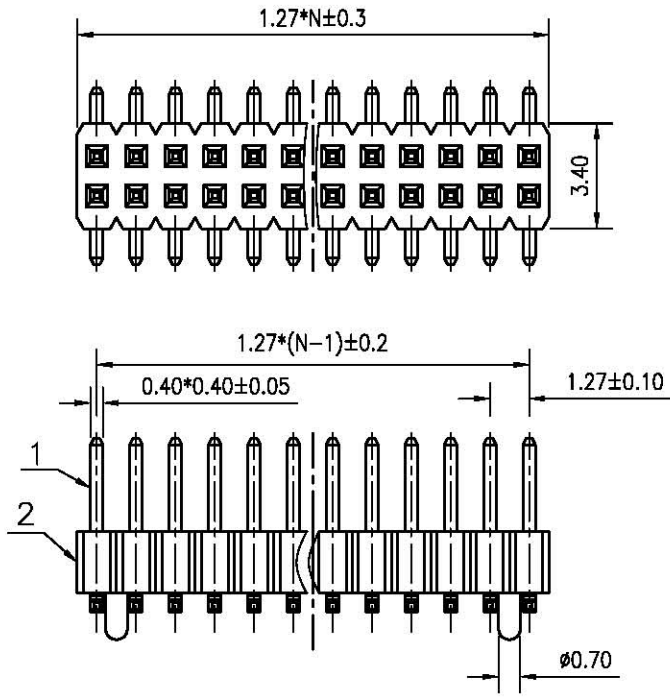
REV.	DESCRIPTION	DRAWN	CHECKED	APPROVED
A	NEW RELEASE	LJH 06/22/05'		

NOTES:

- MATERIAL
 - INSULATOR:PA-46(UL 94V-0).
 - CONTACT MATERIAL:COPPER ALLOY.
- SPECIFICATION
 - CURRENT RATING:1.0 Amp.
 - INSULATION RESISTANCE:1000MΩ Min.
 - DIELECTRIC WITHSTANDING:300VAC.
 - CONTACT RESISTANCE:50mΩ Max.
 - OPERATING TEMPERATURE:-40°C TO+105°C.
- PART NUMBER: DS1031-09
- PRODUCT NUMBER CODE:

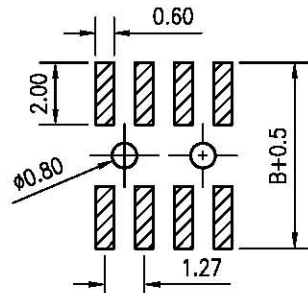
DS1031-09 - X X X X X X X X

- DIM.A B C TYPE
- 1: TYPE 1
- 2: TYPE 2
- HOUSING HEIGHT(DIM.H)
- 1: 1.0mm
- 2: 1.50mm
- 3: 1.70mm
- 4: 2.00mm
- MOUNTING TYPE
- S: SMT TYPE
- HOUSING COLOR
- B:BLACK
- CONTACT PLATING
- 8: FULL GOLD FLASH
- CONNECTOR TYPE
- P:PLUG
- No.OF CONTACTS
- 2*1-2*40
- SERIES No.
- DS1031-09



N:HALF OF CONTACTS

TYPE	DIM A	DIM B	DIM C
1	3.00	5.50	0.60
2	3.70	5.70	0.60
3			
4			
5			
6			



RECOMMEND PCB LAYOUT(TOLERANCE=±0.05)

GENERAL TOLERANCE		ANGLE TOLERANCE		PROJECTION		TITLE	1.27mm PITCH PIN HEADER	
X	±0.60	X	±5'	UNITS	mm	DUAL ROW S.M.T TYPE WITH LOCAL PEG		
.X	±0.38	.X	±3'	SHEET SIZE	A4	SERIES	DS1031-09 SERIES	
.XX	±0.25	.XX	±2'					

2	CONTACT		COPPER ALLOY		GOLD PLATED	DRAWING TYPE		CUSTOMER	
1	HOUSING		THERMOPLASTIC		UL 94 V-0	SCALE	1:1	SHEET	1 OF 1
ITEM	PART NAME	PART NO.	MATERILAS		FINISHED	DRAWING NO.	C-DS1031-09-XXXXXXX		