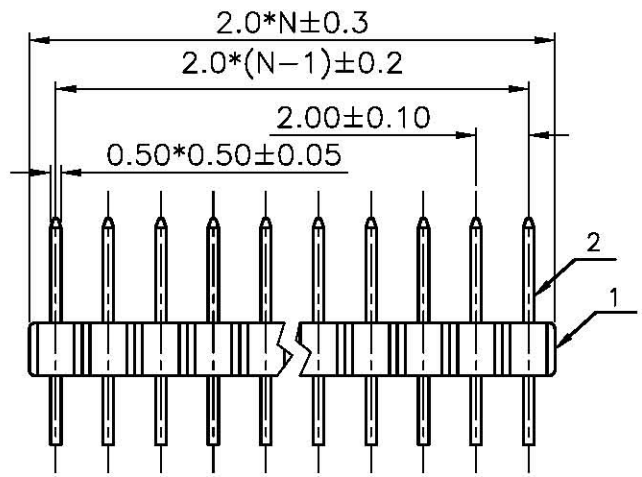
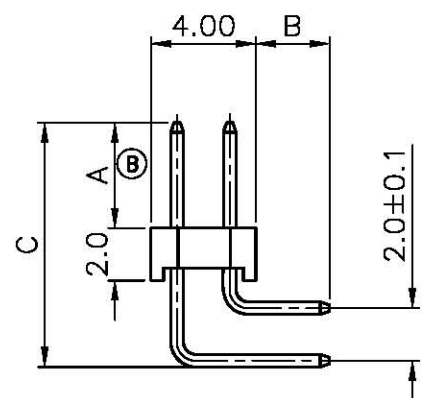


REV.	DESCRIPTION	DRAWN	CHECKED	APPROVED
A	NEW RELEASE	LJH 05/08/05'	~	LJC 05/08/05'
B	图面绘制错误	LL 08/11/06'	~	LJC 08/11/06'
C	增加规格尺寸	LL 01/15/07'		



A&B: CUSTOMER LENGTH AVAILABLE
N: NUMBER OF CONTACTS/2



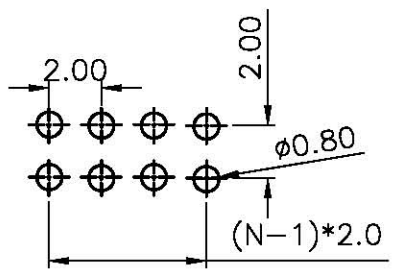
NOTES:

- MATERIAL&FINISHES
 - INSULATOR:THERMOPLASTIC(UL 94V-0).
 - CONTACT MATERIAL: COPPER ALLOY.
- SPECIFICATION
 - CURRENT RATING:1.5 Amp.
 - INSULATION RESISTANCE:1000MΩ Min.
 - DIELECTRIC WITHSTANDING:600VAC.
 - CONTACT RESISTANCE:20mΩ Max.
 - OPERATING TEMPERATURE:-20°C TO +80°C.
- PART NUMBER: DS1025-06
- PRODUCT NUMBER CODE:
DS1025-06 - X X X X X X

TABLE A

TYPE	Dimension			Pin Length
	A	B	C	
1	4.00	2.80	9.30	10.70 14.70
2	6.00	2.80	11.30	12.70 16.70
3				
4				
5				
6				
7				
8				
9				
10				

Dim A/B/C type
1:Type 1
2:Type 2
.....
CONTACTS TYPE
R:RIGHT ANGLE TYPE
HOUSING COLOR
B:BLACK
CONTACT PLATING
B: FULL GOLD FLASH
CONNECTOR TYPE
P:PLUG
No.OF CONTACTS
2*2-2*X



RECOMMEND PCB LAYOUT(TOLERANCE=±0.05)

GENERAL TOLERANCE		ANGLE TOLERANCE	
X.	±0.60	X.	±5°
.X	±0.38	.X	±3°
.XX	±0.25	.XX	±2°

PROJECTION	TITLE	DUAL ROW RIGHT ANGLE	
UNITS	mm	SHEET	1 OF 1
SHEET SIZE	A4	SERIES	DS1025-06 SERIES

ITEM	PART NAME	PART NO.	MATERILAS	FINISHED	DRAWING NO.	CUSTOMER
2	CONTACT		COPPER ALLOY	GOLD FLASH		
1	HOUSING		THERMOPLASTIC	UL 94 V-0		

DRAWING TYPE	CUSTOMER
SCALE	1:1
DRAWING NO.	C-DS1025-06-XXXXX