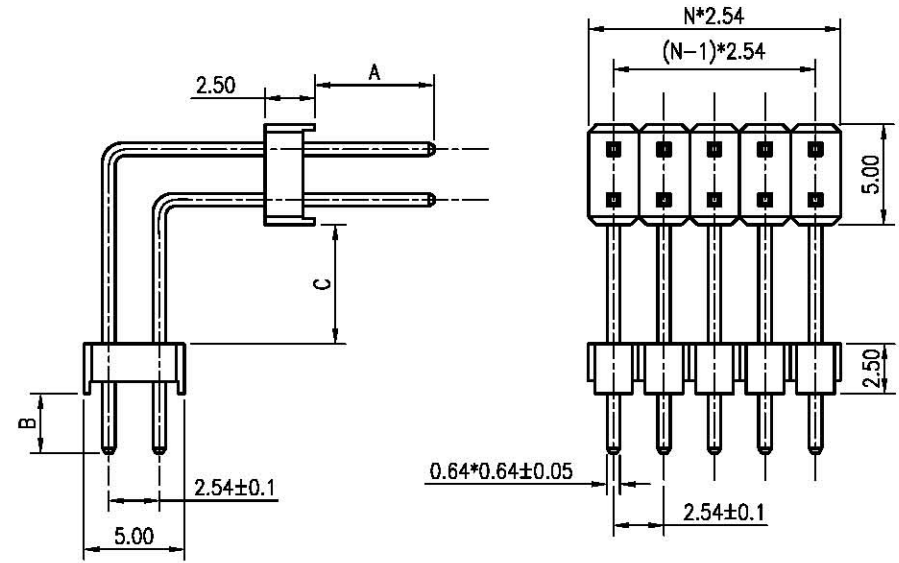


REV.	DESCRIPTION	DRAWN	CHECKED	APPROVED
A	NEW RELEASE	LL 12/20/06'		

DUAL ROWS  
 N:NUMBER OF CONTACTS/2  
 C/D:CUSTOMER LENGTH AVAILABLE

- NOTES:
- MATERIAL
    - INSULATOR:PBT(UL 94V-0).
    - CONTACT MATERIAL:COPPER ALLOY.
  - SPECIFICATION
    - CURRENT RATING:1.5 Amp.
    - INSULATION RESISTANCE:1000MQ Min.
    - DIELECTRIC WITHSTANDING:600VAC.
    - CONTACT RESISTANCE:50mΩ Max.
    - OPERATING TEMPERATURE:-40°C TO+105°C.



3. PRODUCT NUMBER CODE:  
 DS1029-08 - X X X X X X

DIM.A YPE  
 1: TYPE 1

MOUNTING TYPE  
 R: RIGHT ANGLE TYPE

HOUSING COLOR  
 B:BLACK

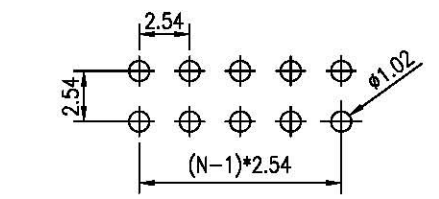
CONNECTOR PLATING  
 8: FULL GOLD FLASH

CONECT TYPE  
 P:PLUG

No.OF CONTACTS  
 2\*1-2\*40

TABLE A

TYPE	Dimension			Pin Length (mm)
	A	B	C	
1	6.00	3.00	6.00	26.00 31.10
2				
3				
4				
5				
6				
7				
8				
9				



RECOMMEND PCB LAYOUT(TOLERANCE=±0.05)

GENERAL TOLERANCE		ANGLE TOLERANCE		PROJECTION		TITLE	2.54mm PITCH PIN HEADER RIGHT ANGLE	
X	±0.60	X	±5'	UNITS	mm	SHEET SIZE	A4	SERIES
.X	±0.38	.X	±3'					DS1029-08 SERIES
.XX	±0.25	.XX	±2'					

2	CONTACT		COPPER ALLOY	GOLD PLATED	DRAWING TYPE	CUSTOMER		
1	HOUSING		THERMOPLASTIC	UL 94 V-0	SCALE	1:1	SHEET	1 OF 1
ITEM	PART NAME	PART NO.	MATERILAS	FINISHED	DRAWING NO.	C-DS1029-08-XXXXXX		