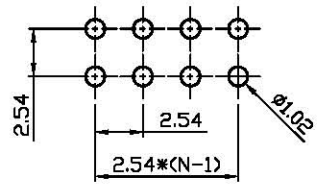
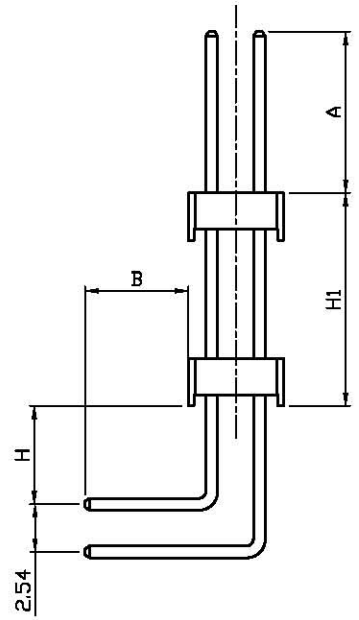
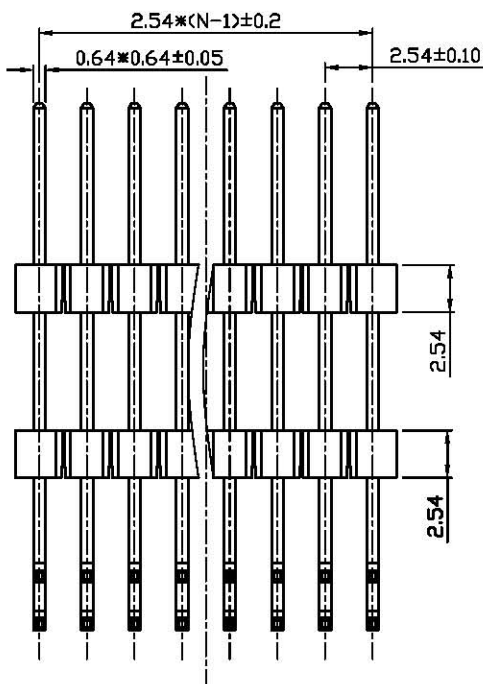


N: NUMBER OF CONTACTS/2



RECOMMEND PCB LAYOUT(TOLERANCE=±0.05)

REV.	DESCRIPTION	DRAWN	CHECKED	APPROVED
A	NEW RELEASE	LJH 05/06/05'		

NOTES:

- MATERIAL
 - INSULATOR:PA-46(UL 94V-0).
 - CONTACT MATERIAL:COPPER ALLOY.
- SPECIFICATION
 - CURRENT RATING:1.5 Amp.
 - INSULATION RESISTANCE:1000MΩ Min.
 - DIELECTRIC WITHSTANDING:600VAC.
 - CONTACT RESISTANCE:50mΩ Max.
 - OPERATING TEMPERATURE:-40°C TO+105°C.
- PART NUMBER: DS1029-05
- PRODUCT NUMBER CODE:
 DS1029-05 - X X X X X X
 DIM.A B H1 H2 TYPE
 1: TYPE 1
 MOUNTING TYPE
 R: RIGHT ANGLE TYPE
 HOUSING COLOR
 B:BLACK
 CONNECTOR PLATING
 8: FULL GOLD FLASH
 CONECT TYPE
 P:PLUG
 No.OF CONTACTS
 2*1-2*40

TYPE	DIM A	DIM B	DIM H1	DIM H	PIN LENGTH
1	8.60	5.50	11.37	5.25	31.50 26.40
2					
3					
4					
5					
6					

GENERAL TOLERANCE		ANGLE TOLERANCE		PROJECTION		TITLE	2.54mm PITCH PIN HEADER DUAL ROW RIGHT ANGLE
X	±0.60	X	±5'	UNITS	mm	SHEET SIZE	A4
.X	±0.38	.X	±3'			SERIES	DS1029-05 SERIES
.XX	±0.25	.XX	±2'				
DRAWING TYPE		CUSTOMER					
SCALE		1:1	SHEET	1 OF 1			
DRAWING NO.		C-DS1029-05-XXXXXX					