

REV.	DESCRIPTION	DRAWN	CHECKED	APPROVED
A	NEW RELEASE	YCH 12/10/07'	~	

- NOTES:
- MATERIAL
 - INSULATOR: THERMOPLASTIC (UL 94V-0).
 - CONTACT MATERIAL: COPPER ALLOY.
 - SPECIFICATION
 - CURRENT RATING: 1.5 A.
 - INSULATION RESISTANCE: 1000MΩ Min.
 - DIELECTRIC WITHSTANDING: 600VAC.
 - CONTACT RESISTANCE: 20mΩ Max.
 - OPERATING TEMPERATURE: -45°C TO +110°C.
 - PRODUCT NUMBER CODE:

DS1022-04 - X X X X

 - Dim. A B type
 - 1: Type 1
 - CONTACT PLATING
 - 8: Full gold flash
 - 6: Full Tin
 - MOUNTING TYPE
 - S: SMT TYPE
 - No. OF CONTACTS
 - 2*2-2*40

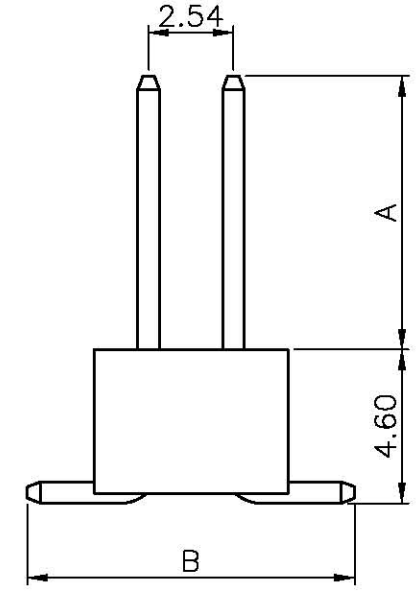


TABLE A:

TYPE	Dimension		Pin Length (mm)	TYPE	Dimension		Pin Length (mm)
	A	B			A	B	
1	8.20	9.80	15.60	8			
2				9			
3				10			
4				11			
5				12			
6				13			
7				14			

GENERAL TOLERANCE	ANGLE TOLERANCE	PROJECTION		TITLE	PIN HEADER PITCH 2.54mm	
X. ±0.60	X. ±5°	UNITS	mm		SMT TYPE H=4.3mm	
.X ±0.38	.X ±3°	SHEET SIZE	A4	SERIES	DS1022-04 SERIES	
.XX ±0.25	.XX ±2°					
DRAWING TYPE	CUSTOMER					
SCALE	1:1	SHEET	1 OF 1			
DRAWING NO.	C-DS1022-04-XXXX					