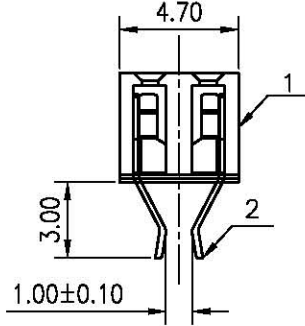
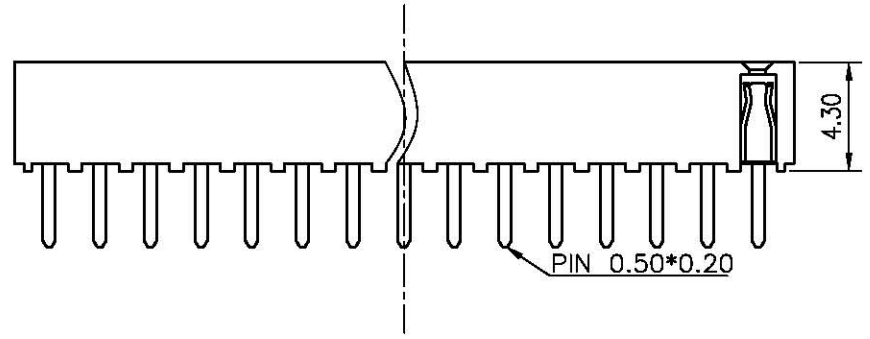
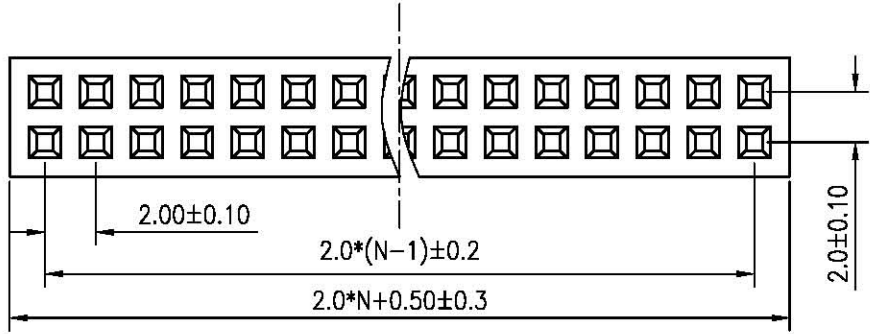
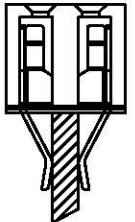


REV.	DESCRIPTION	DRAWN	CHECKED	APPROVED
A	NEW RELEASE	LJH 06/22/05'		



N: NUMBER OF CONTACTS/2



120mm PCB

NOTES:

- ELECTRICAL CHARACTERISTICS:
 - CONTACT RESISTANCE: 20mΩ Max. INITIAL.
 - DIELECTRIC WITHSTANDING VOLTAGE: 500V AC(rms) FOR 1 MINUTE.
 - INSULATION RESISTANCE: 1000MΩ Min.

- ENVIRONMENT CHARACTERISTICS:
 - OPERATING TEMPERATURE: 0°C~+85°C.
 - STORAGE TEMPERATURE: -20°C~+70°C.

3. PART NUMBER: DS1026-10

4. PRODUCT NUMBER CODE:

DS1026-10 - X X X X X

- CONTACTS TYPE
V:VERTICAL
- HOUSING COLOR
B:BLACK
- CONTACT PLATING
8: FULL GOLD FLASH
- CONNECTOR TYPE
S:SOCKET
- No.OF CONTACTS
2*1-2*X
- SERIES No.
DS1026-10

GENERAL TOLERANCE		ANGLE TOLERANCE		PROJECTION		TITLE	STRADDLE TYPE DUAL ROW	
X.	±0.60	X.	±5°	UNITS	mm			
.X	±0.38	.X	±3°	SHEET SIZE	A4	SERIES	DS1026-10 SERIES	
.XX	±0.25	.XX	±2°					

2	CONTACT		COPPER ALLOY	GOLD PLATED	DRAWING TYPE	CUSTOMER		
1	HOUSING		THERMOPLASTIC	UL 94 V-0	SCALE	1:1	SHEET	1 OF 1
ITEM	PART NAME	PART NO.	MATERILAS	FINISHED	DRAWING NO.	C-DS1026-10-XXXXX		

1 2 3 4 5 6 7 8