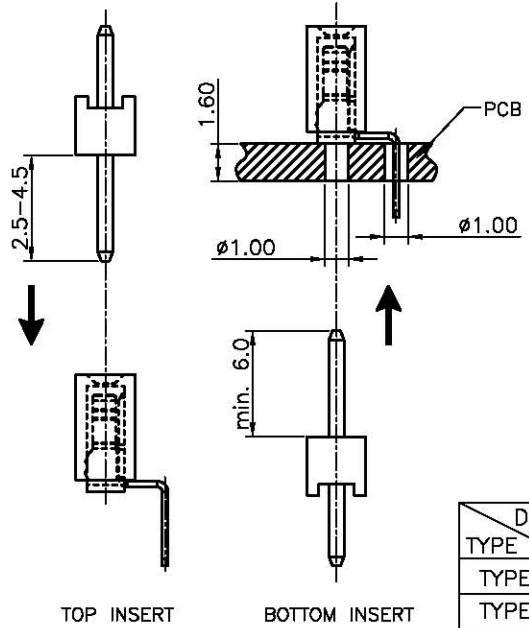
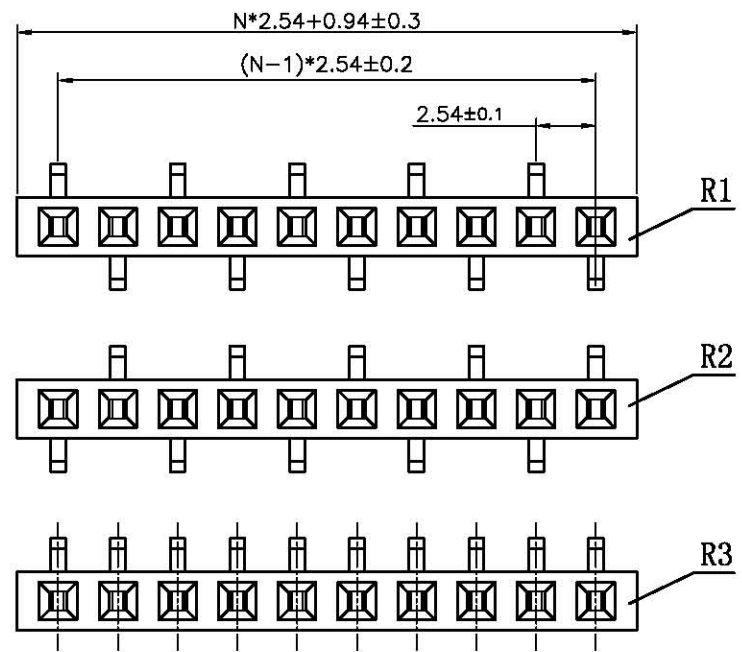


REV.	DESCRIPTION	DRAWN	CHECKED	APPROVED
A	NEW RELEASE	LJC 11/20/07'		

N:NUMBER OF CONTACTS

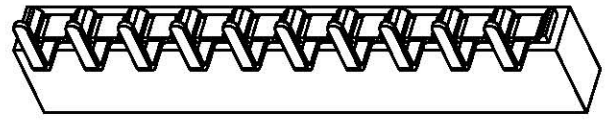
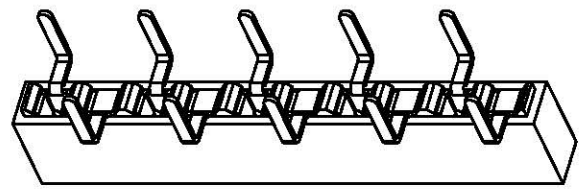
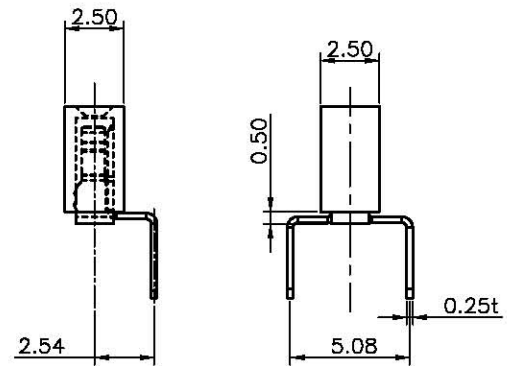
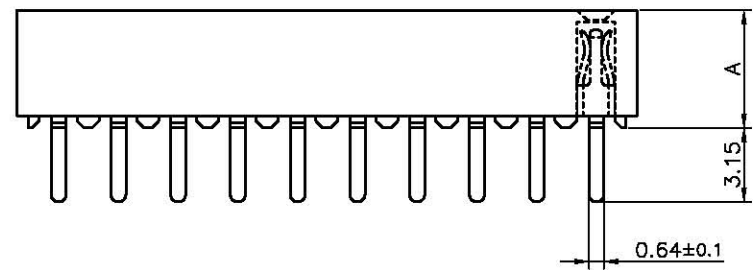


- NOTES:
- MATERIAL
 - 1.1 INSULATOR MATERIAL:THERMOPLASTIC(UL 94V-0).
 - 1.2 CONTACT MATERIAL:COPPER ALLOY.
 - SPECIFICATION
 - 2.1 TEMPERATURE:-45° to +110°C.
 - 2.2 DIELECTRIC WITHSTANDING VOLTAGE:AC 500V AC.
 - 2.3 INSULATION RESISTANCE:1000MΩ min.
 - 2.4 CURRENT RATING:3A.
 - 2.5 CONTACT RESISTANCE:20mΩ MAXIMUM.
 - PRODUCT NUMBER CODE:

DS1024-04 - X X X X X

 - BEND TYPE
 - 1: R1 TYPE
 - 2: R2 TYPE
 - 3: R3 TYPE
 - PROFILE HEIGHT(DIM A)
 - 1: 8.5mm
 - 2: 5.0mm
 - CONTACT PLATING
 - 8: FULL GOLD FLASH
 - 0: Selective gold flash
 - MOUNTING TYPE
 - V: V/T TYPE
 - No. OF POSITIONS
 - 1*1 - 1*40

DIM. TYPE	A
TYPE 1	8.50
TYPE 2	5.00



GENERAL TOLERANCE		ANGLE TOLERANCE		PROJECTION		TITLE	FEMALE HEADER PITCH
X.	±0.60	X.	±5°	UNITS	mm		2.54mm V/T TYPE DUAL ENTRY
.X	±0.38	.X	±3°	SHEET SIZE	A4	SERIES	DS1024-04 SERIES
.XX	±0.25	.XX	±2°				
DRAWING TYPE		CUSTOMER					
SCALE		1:1	SHEET	1 OF 1			
DRAWING NO.		C-DS1024-04-XXXXX					