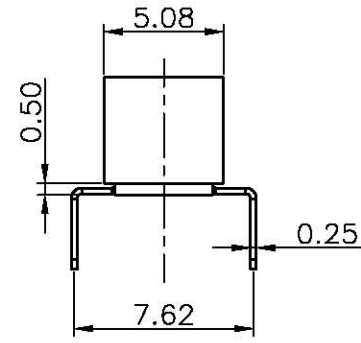
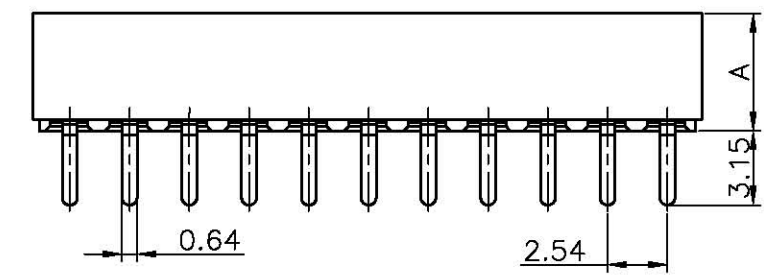
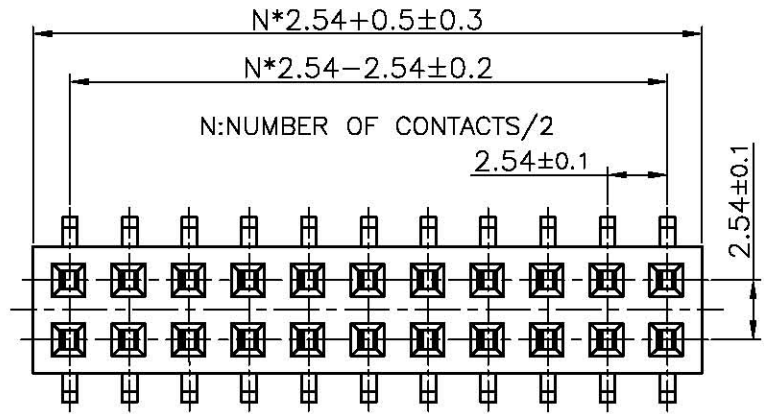


REV.	DESCRIPTION	DRAWN	CHECKED	APPROVED
A	NEW RELEASE	YCH 11/20/07'	~	LJC 11/20/07'
B	整理图面	YCH 07/08/08'	~	



NOTES:

- MATERIAL
 - INSULATOR MATERIAL:THERMOPLASTIC(UL 94V-0).
 - CONTACT MATERIAL:COPPER ALLOY.
- SPECIFICATION
 - TEMPERATURE:-45' to +110'C.
 - DIELECTRIC WITHSTANDING VOLTAGE:AC 500V AC.
 - INSULATION RESISTANCE:1000MΩ min.
 - CURRENT RATING:3A.
- PART NUMBER: DS1024-01
- PRODUCT NUMBER CODE:
DS1024-01 - X X X X

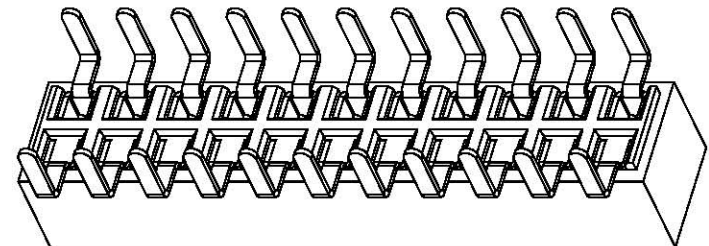
PROFILE HEIGHT(DIM A)
1: 8.5mm
2: 5.0mm

CONTACT PLATING
B: FULL GOLD FLASH
0: Selective gold flash

MOUNTING TYPE
V: Straight TYPE

ROWS
2*2 - 2*40

DIM.	A
TYPE 1	8.50
TYPE 2	5.00



GENERAL TOLERANCE		ANGLE TOLERANCE		PROJECTION		TITLE	2.54mm FEMALE HEADER
X.	±0.60	X.	±5'	UNITS	mm		Upright V/T TYPE H=8.5/5.0mm
.X	±0.38	.X	±3'	SHEET SIZE	A4	SERIES	DS1024-01 SERIES
.XX	±0.25	.XX	±2'				
DRAWING TYPE		CUSTOMER					
SCALE		1:1	SHEET	1 OF 1			
DRAWING NO.		C-DS1024-01-XXXX					