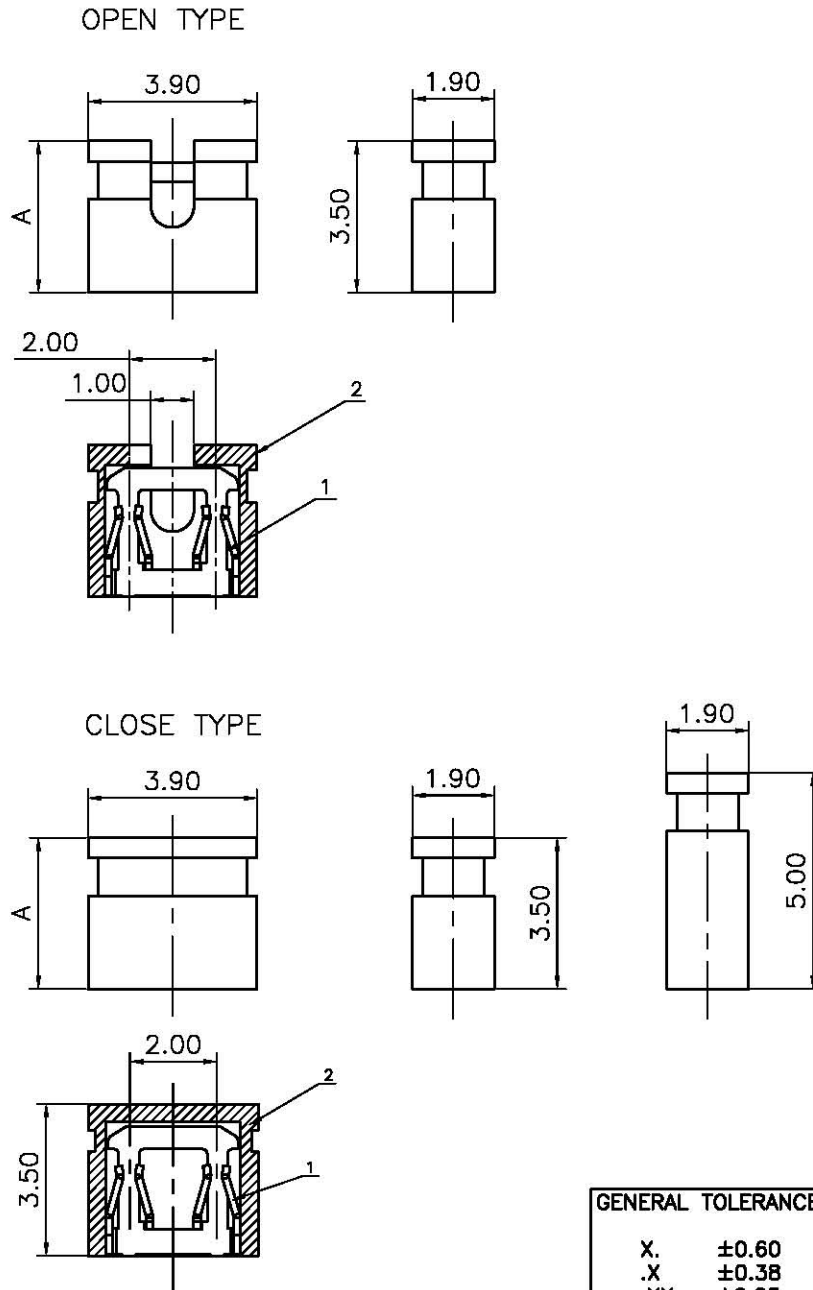


REV.	DESCRIPTION	DRAWN	CHECKED	APPROVED
A	NEW RELEASE	LL 09/25/06'		



NOTES:

1. SPECIFICATION:

- 1.1 CONTACT RESISTANCE: 30mΩ MAX.
- 1.2 DIELECTRIC WITHSTANDING VOLTAGE: 250V AC(rms) FOR 1 MINUTE.
- 1.3 INSULATION RESISTANCE: 500MΩ MINI.
- 1.4 OPERATING TEMPERATURE: -20°C~+80°C.

2. PRODUCT NUMBER CODE:

DS1028 - X X X X X

PROFILE HEIGHT(DIM A):  
1: 3.50mm  
2: 5.00mm

CONTACT PLATING:  
F1: FULL GOLD FLASH  
N: NICKEL  
2: GOLD+NICKEL

HOUSING COLOR:  
B: BLACK U:BLUE Y:YELLOW  
W: WHITE E:GREEN R:RED

HOUSING TYPE:  
A:OPEN B:CLOSE

No.OF CONTACTS:  
2: 2pin

SERIES No:  
DS1028

GENERAL TOLERANCE		ANGLE TOLERANCE	
X.	±0.60	X.	±5°
.X	±0.38	.X	±3°
.XX	±0.25	.XX	±2°

PROJECTION	TITLE
	MINI JUMPER PITCH 2.00mm
UNITS	mm
SHEET SIZE	A4
SERIES	DS1028 SERIES

2	HOUSING		PBT	SEE NOTES	DRAWING TYPE	CUSTOMER		
1	CONTACT		COPPER ALLOY	SEE NOTES	SCALE	1:1	SHEET	1 OF 1
ITEM	PART NAME	PART NO.	MATERILAS	FINISHED	DRAWING NO.	C-DS1028-XXXXX		