

REV.	DESCRIPTION	DRAWN	CHECKED	APPROVED
A	NEW RELEASE	LL 06/29/06'		

NOTES:

- ELECTRICAL CHARACTERISTICS:
 - CONTACT RESISTANCE: 20mΩ Max.
 - DIELECTRIC WITHSTANDING VOLTAGE: 500V AC(rms) FOR 1 MINUTE.
 - INSULATION RESISTANCE: 1000MΩ Min.
- ENVIRONMENT CHARACTERISTICS:
 - OPERATING TEMPERATURE: 0°C~+85°C.
 - STORAGE TEMPERATURE: -20°C~+70°C.
- PRODUCT NUMBER CODE:

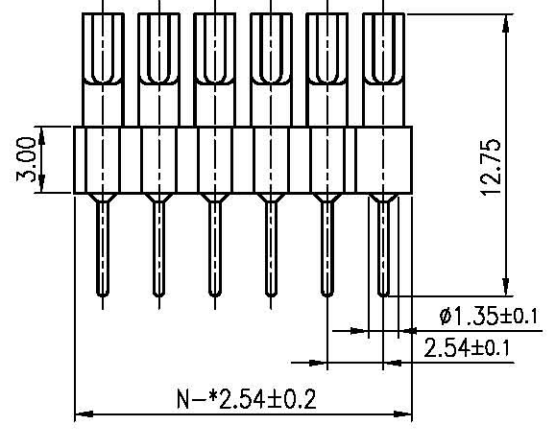
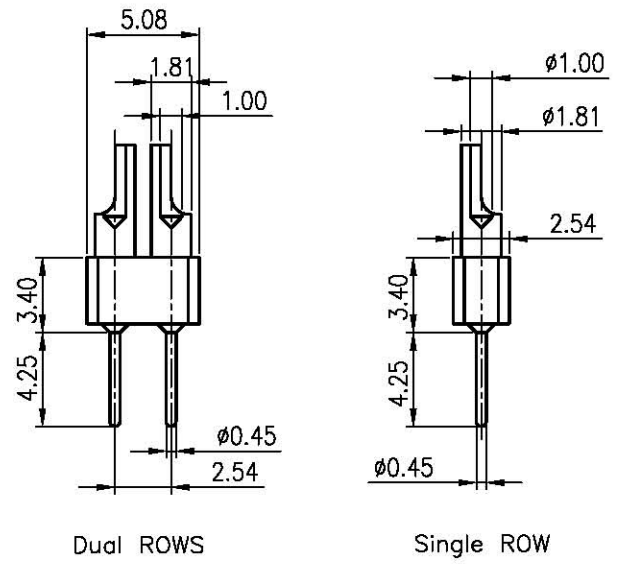
DS1004-02 - X X X

HOUSING COLOR
B: Black

CONTACT PLATING
1: Tin 150u"
2: Tin 200u"
3: G/F
4: Gold 3u"
5: Gold 10u"
6: Gold 15u"

No. OF CONTACTS
1*1 - 1*40
2*1 - 2*40

SERIES No.
DS1004-02



GENERAL TOLERANCE		ANGLE TOLERANCE		PROJECTION		TITLE	PCB HEADER STRIPS PITCH 2.54mm
X.	±0.60	X.	±5'	UNITS	mm		SOLDER TYPE
.X	±0.38	.X	±3'	SHEET SIZE	A4	SERIES	DS1004-02 SERIES
.XX	±0.25	.XX	±2'	广东中南电子电器有限公司 www.zn-cn.com			
DRAWING TYPE		CUSTOMER					
SCALE		1:1 SHEET 10F1					
DRAWING NO.		C-DS1004-02-XXX					